

Instruction

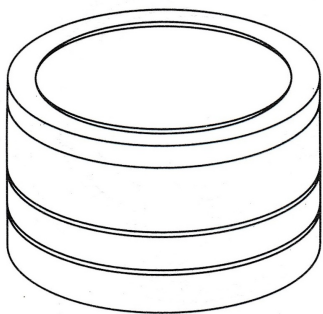


Figure 1

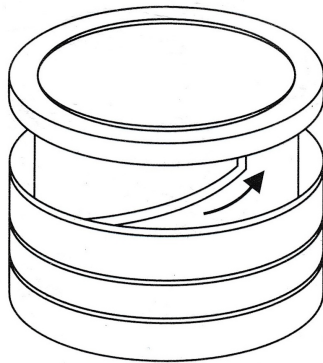


Figure 2

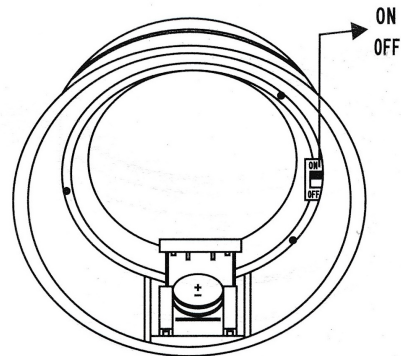


Figure 3

This product is a kind of LED magnifier that can stretch out and draw back to adjust its focal distance.

1. First open the lid of batteries, anode is upside, put into two CR2016 batteries, then close the lid.
2. There is a switch on the face plate of lamp, you need to turn on the bottom "ON"
3. Your right and left hands need to grasp the top and bottom of magnifier before your using, then turn on it gently in the anti-clockwise direction, 3 LEDs will be on, at the same time, adjust its focal distance to the best. turn it in the clockwise direction, the lamp will be off.
4. You'd better take off the batteries if long time no use to avoid a conduction.
5. Pls don't put magnifier in the direct sun to avoid causing a fire.